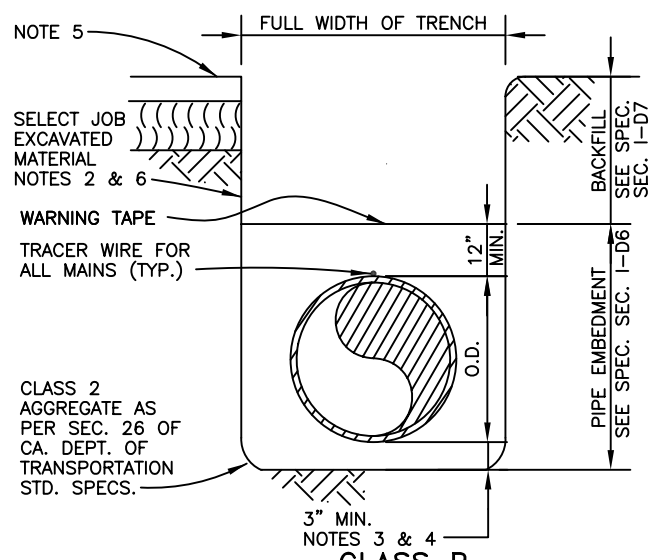


CLASS A
(NOTE 1)



CLASS B
(PVC, VCP, & DIP)

NOTES

1. REQUIRED IN SPECIAL CASES SUCH AS WHERE LESS THAN MINIMUM COVER CAN BE ATTAINED.
2. IMPORTED MATERIAL SHALL BE USED WHEN NATIVE MATERIAL IS UNSUITABLE AS PER SPEC. SEC. 1-D7.
3. SHALL BE 5 INCHES MIN. WHEN TRENCH BOTTOM IS UNSUITABLE AS PER SPEC. SEC 1-D4-5.
4. ADDITIONAL EXCAVATION REQUIRED AT BELL ENDS TO MAINTAIN 3 INCH DEPTH OF AGGREGATE BELOW PIPE BELL.
5. FOR RESURFACING AND RESTORATION REQUIREMENTS, SEE SPEC. 1-D9.
6. BACKFILL REQUIREMENTS IN THESE STANDARD SPECIFICATIONS AND DRAWINGS APPLY ONLY WHEN THERE ARE NO GOVERNING CITY OR AGENCY REQUIREMENTS.
7. FOR TRENCH BOTTOMS WITH SOFT OR UNSTABLE MATERIAL, REFERENCE SPEC. SEC. 1-D4-5.

REV. 04/07

Dublin San Ramon Services District	DATE MAY 1987
STANDARD TRENCH SECTION FOR WATER AND SEWER MAINS AND SIDE SEWER INSTALLATIONS	DESIGNED DJM
SIGNED COPY ON FILE AT DISTRICT OFFICE	DRAWING G-1