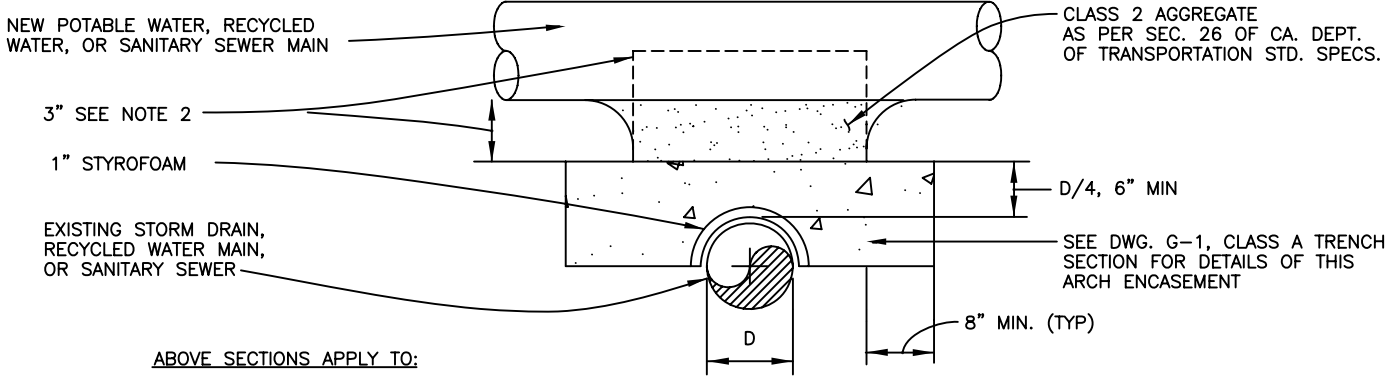


ABOVE SECTIONS APPLY TO:

1. SANITARY SEWER CROSSING UNDER EXISTING STORM DRAIN OR SANITARY SEWER
2. RECYCLED WATER CROSSING UNDER EXISTING STORM DRAIN OR RECYCLED WATER
3. POTABLE WATER CROSSING UNDER EXISTING STORM DRAIN

N.T.S.



ABOVE SECTIONS APPLY TO:

1. SANITARY SEWER CROSSING OVER EXISTING STORM DRAIN OR SANITARY SEWER
2. RECYCLED WATER CROSSING OVER EXISTING STORM DRAIN OR RECYCLED WATER
3. POTABLE WATER CROSSING OVER EXISTING STORM DRAIN

N.T.S.

REV. 04/07

NOTES:

1. CROSSING OF POTABLE WATER MAINS, RECYCLED WATER MAINS, AND SANITARY SEWERS: SEPARATION, CONSTRUCTION, AND PIPE CRITERIA SHALL BE AS REQUIRED BY SECTION I-C5 AND THE CALIFORNIA DEPARTMENT OF HEALTH SERVICES (SEE APPENDIX A).
2. IF CLASS 2 AGGREGATE BASE MATERIAL CANNOT BE ATTAINED, THEN RAISE PIPE CRADLE TO CONTACT LOWER HALF OF NEW PIPE. PROVIDE ROOFING PAPER OR BOND BREAKER BETWEEN NEW PIPE AND CONCRETE AS SHOWN IN SECTION 1 ABOVE.
3. APPROVAL OF THE DISTRICT ENGINEER REQUIRED TO USE ABOVE DETAILS.

Dublin San Ramon Services District

DATE
MAY 1987

CLOSE CROSSING DETAIL

DESIGNED
DJM

SIGNED COPY ON FILE AT DISTRICT OFFICE

DRAWING
G-3