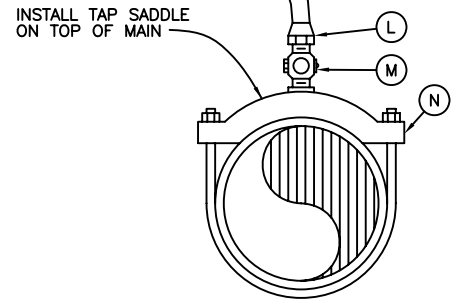


ITEM	DESCRIPTION
A	VALVE COVER (PLACER WATERWORKS NO. PWAE118M/PWAE218M, OR APPROVED EQUAL)
B	SCREW ON BUG SCREEN
C	1" DIAMETER PVC PIPE & UNION
D	ANCHOR BOLT
E	2" PVC SLEEVE
F	1" BRONZE STREET ELL
G	1" AIR RELEASE AND VACUUM RELIEF VALVE
H	2' METER BOX (B-36 CHRISTY OR APPROVED EQUAL)
I	1" BRONZE NIPPLE
J	ANGLE METER STOP FLARE OR COMPRESSION (MUELLER 300 SERIES, MCDONALD 4602BT, OR APPROVED EQUAL)
K	1" TYPE K COPPER TUBING, OR POLY
L	1" BRONZE COMPRESSION JOINT
M	1" CORP. STOP (MUELLER 300 SERIES, MCDONALD 4701BQ, OR APPROVED EQUAL)
N	ALL BRONZE SADDLE WITH DOUBLE STRAP



NOTES:
SEE DRAWING W-15B
FOR RECYCLED WATER SYSTEMS.

REV. 10/06

Dublin San Ramon Services District

DATE
MAR 1983

1" AIR RELEASE & VACUUM RELIEF VALVE INSTALLATION
6"-10" POTABLE WATER MAINS

DESIGNED
SRH

SIGNED COPY ON FILE AT DISTRICT OFFICE

DRAWING
W-15A