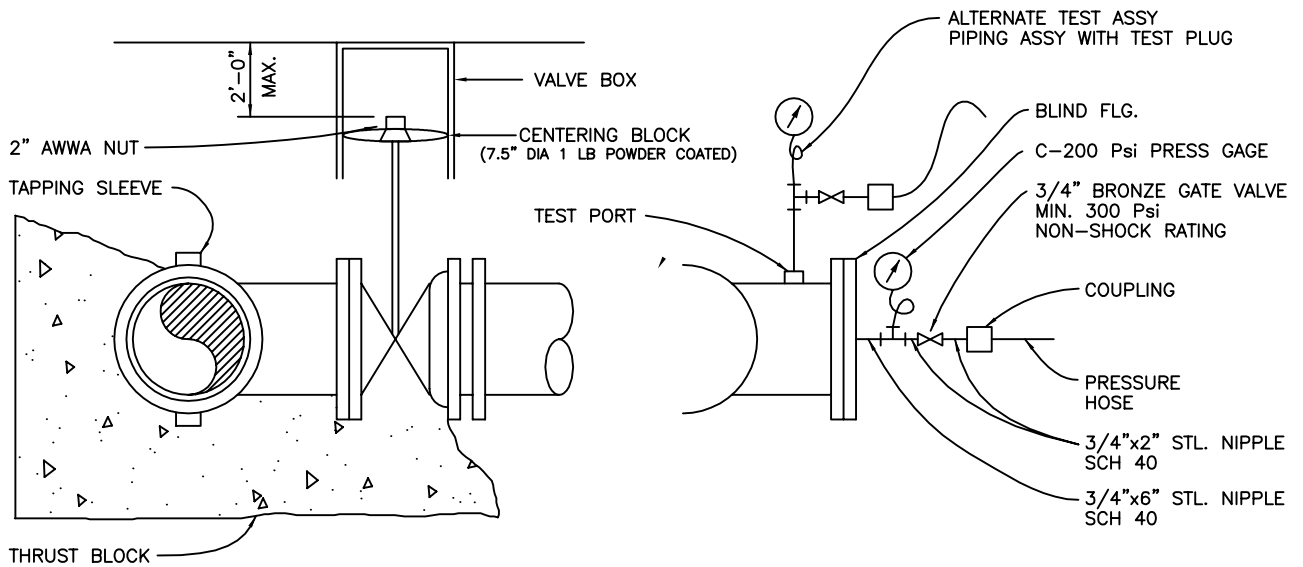


NOTE: TAPPING SLEEVES AND TAPPING VALVES SHALL CONFORM TO SECTION II-B1-2.02

PLAN



ELEVATION

TAPPING SLEEVE
PRESSURE AND LEAKAGE
TEST PIPING

REV. 01/04

Dublin San Ramon Services District	DATE JUN 1987
TAPPING SLEEVE AND TAPPING VALVE INSTALLATION	DESIGNED RMR
SIGNED COPY ON FILE AT DISTRICT OFFICE	DRAWING W-17