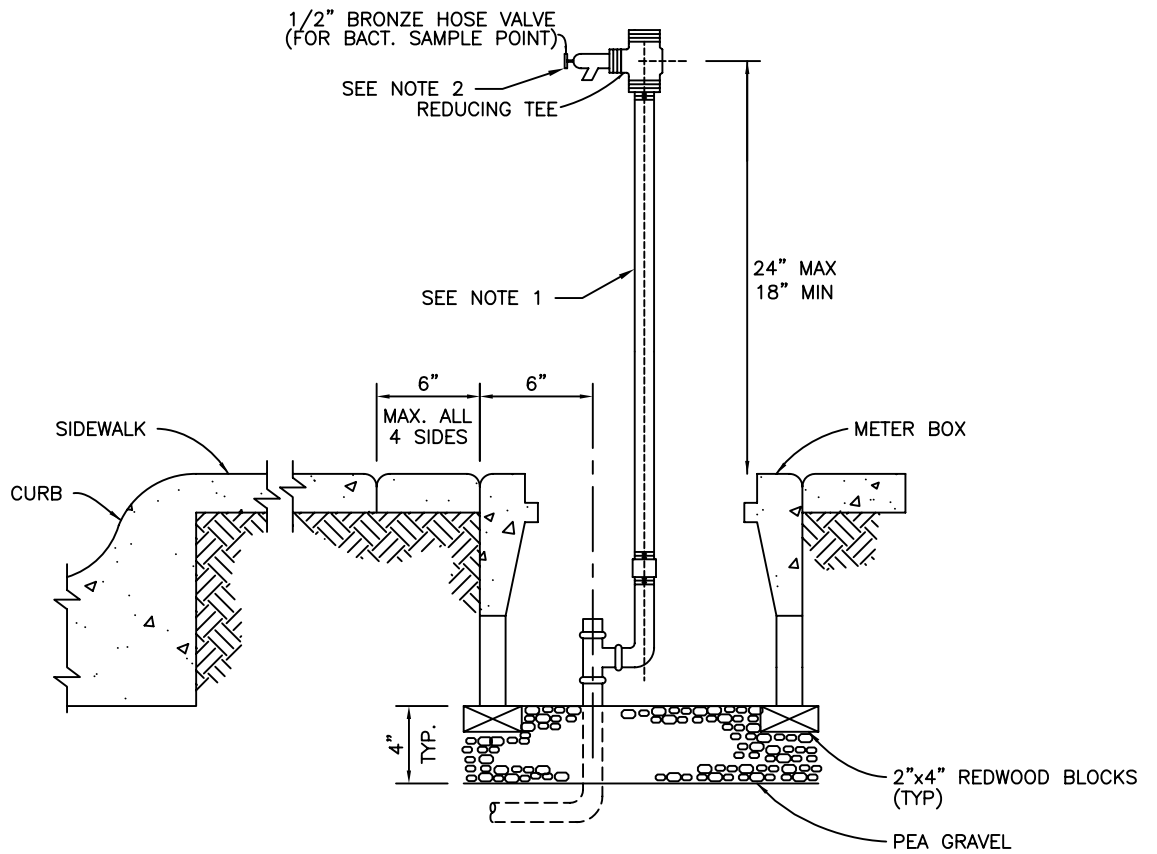
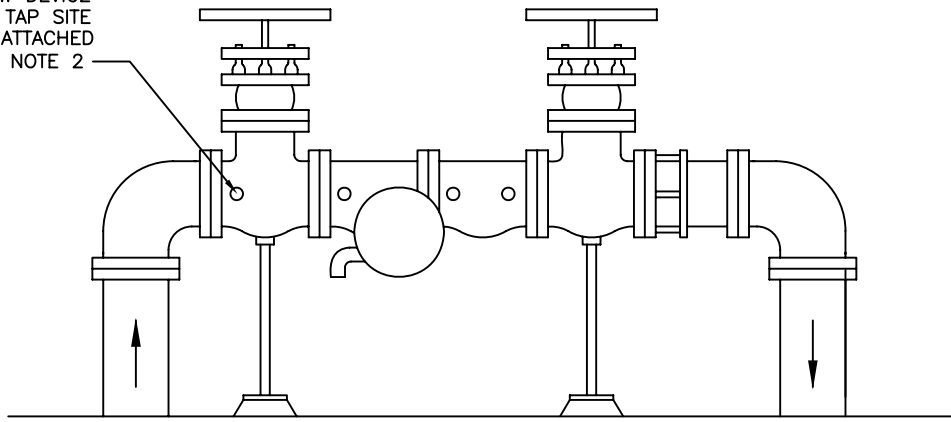


#1 TESTCOCK OF A BACKFLOW DEVICE
MAY BE USED AS A SAMPLE TAP SITE
WITH A BRONZE HOSE BIB ATTACHED
SEE NOTE 2



NOTES:

1. PIPING MUST BE RIGID.
2. HOSE BIB SPOUT MUST FACE BELOW HORIZONTAL AND FACE STREET.

Dublin San Ramon Services District

DATE
DEC 2005

TEMPORARY SAMPLE TAPS FOR
NEW CONSTRUCTION

DESIGNED
ATJ

SIGNED COPY ON FILE AT DISTRICT OFFICE

DRAWING
W-18A