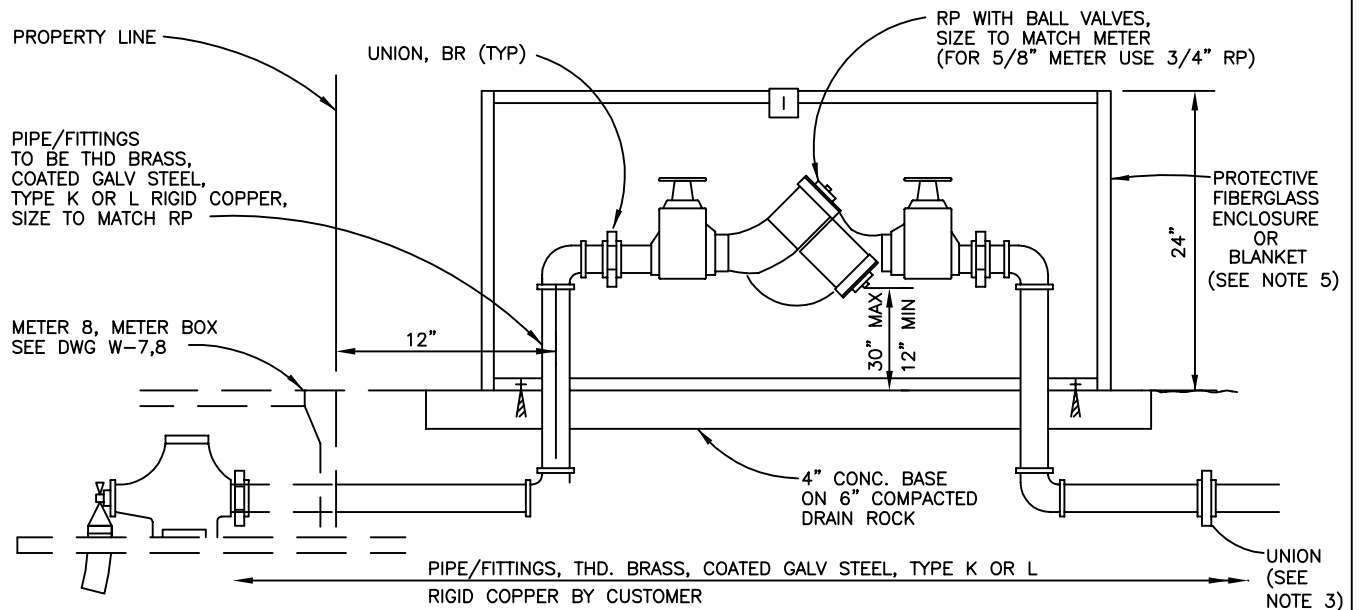


PLAN
NTS



SECTION
NTS

NOTES:

1. SET RP ON PRIVATE PROPERTY.
2. IF RP IS LOCATED NEAR TRAFFIC AREA, A MIN. OF TWO 4" GALVANIZED STEEL GUARD POSTS SHALL BE PROVIDED. POSTS SHALL BE 42" HIGH, EMBEDDED 36" BELOW GROUND IN CONCRETE, AND FILLED WITH CONCRETE.
3. FITTING SHALL BE DIELECTRIC WHERE JOINING DISSIMILAR METALS.
4. 3/4" TO 2" MUST HAVE BALL VALVE SHUT OFF VALVES.
5. PROVIDE LOCKABLE FIBERGLASS ENCLOSURE WITH FOAM INSULATION AND GASKETED SOULS, OR BLANKET (SEE DRAWING W-25).
6. DIMENSION OF CONCRETE PAD TO BE AS RECOMMENDED BY ENCLOSURE MANUFACTURER.
7. RP SHALL BE TESTED AND CERTIFIED PER STANDARD SPECIFICATIONS.

REV. 07/04

Dublin San Ramon Services District

DATE
JUL1988

BACKFLOW PREVENTER
INSTALLATION 3/4" TO 2"

DESIGNED
SAD

SIGNED COPY ON FILE AT DISTRICT OFFICE

DRAWING
W-21