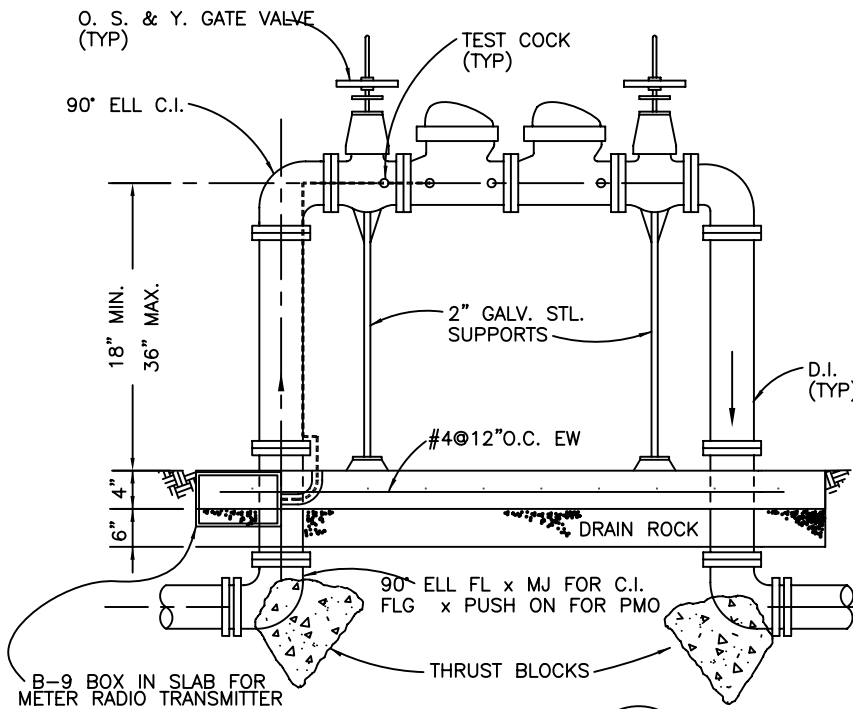


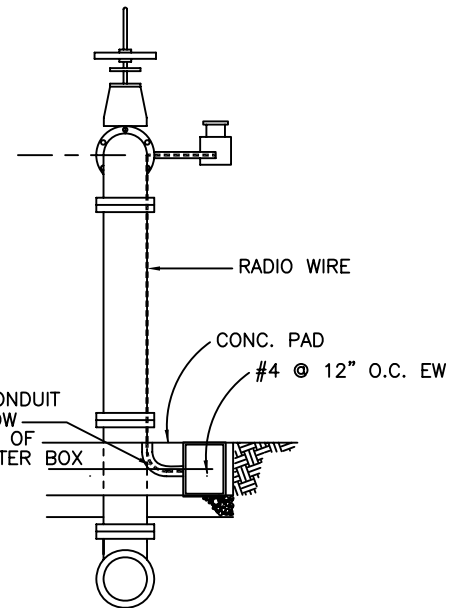
PLAN

NTS



SECTION 1

NTS



SECTION 2

NTS

- NOTES:**
1. DOUBLE DETECTOR CHECK ASSEMBLY SHALL BE FACTORY ASSEMBLED COMPLETE, WITH METER AND DETECTOR CHECKS AND SHALL BE ON DISTRICT APPROVED LIST. THE DETECTOR METER SHALL BE SUPPLIED WITH A RADIO-READ NEPTUNE OR SENSUS METER. THE METER INTERFACE UNITS SHALL BE DATAMATIC FIREFLY METER INTERFACE UNITS FOR AMR SYSTEMS USING ENCODED REGISTERS WITH PROFILE PLUS LOAD PROFILING CAPABILITY.
 2. INSTALL AS REQUIRED.
 3. RADIO WIRE TO BE FIRMLY AFFIXED TO PIPING WITH WIRE TIES.
 4. TRANSMITTER TO BE SPLICED TO INCOMING WIRES WITH WATER PROOF CONNECTORS.

REV. 01/06

Dublin San Ramon Services District

DATE
JUN 1987

DOUBLE DETECTOR CHECK FOR 2" - 10" FIRE LINES
ABOVE GROUND INSTALLATION

DESIGNED
RMR

SIGNED COPY ON FILE AT DISTRICT OFFICE

DRAWING
W-23