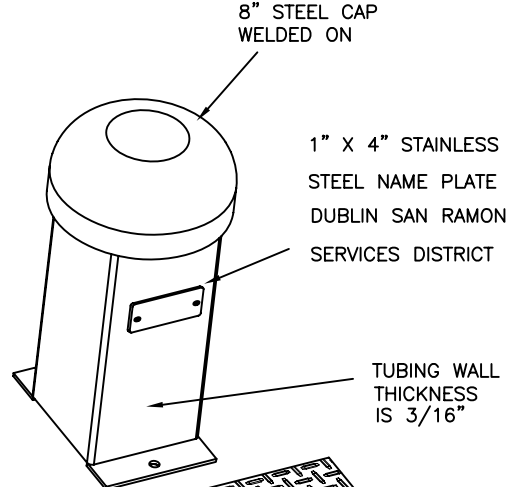
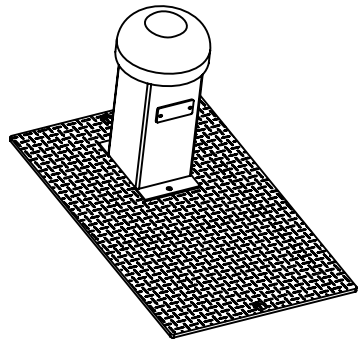


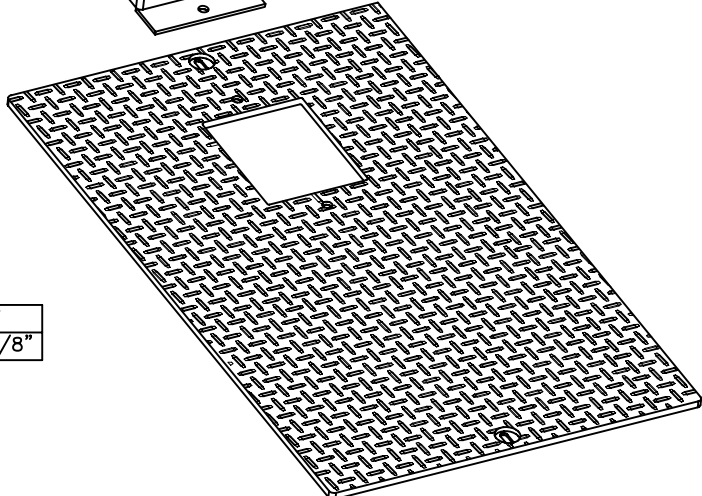
(BOTTOM SIDE OF PLATE)



* NO WELDED LETTERING REQUIRED FOR POTABLE WATER.

CAT# PWAE118M	16-3/8" X 27" X 1/4"
CAT# PWAE218M	20-1/4" X 33-1/4" X 3/8"

POTABLE WATER DETAIL



NOTES:

1. VALVE COVER TO BE PLACER WATERWORKS NO. PWAE118M/PWAE218M, OR APPROVED EQUAL.
2. CLEAN INTERIOR AND EXTERIOR OF STEEL WITH DEVPREP 88 METAL CLEANER, OR APPROVED EQUAL WATER-BASED CLEANER.
3. APPLY PRIMER 2-3 MILLS THICK WITH TWO PART EPOXY PRIMER 224HS CATALYZED POLYAMID EPOXY PRIMER (HUNTER GREEN), OR APPROVED EQUAL PRIMER.
4. APPLY ALIPHATIC URETHANE FINISH TOP COAT OF DEVTANE 379, OR APPROVED EQUAL FINISH.
5. VALVE COVER TO BE PAINTED HUNTER GREEN.

REV. 01/06

Dublin San Ramon Services District

DATE
JUL 2000

AIR RELEASE & VACUUM RELIEF
VALVE COVER

DESIGNED
JM

SIGNED COPY ON FILE AT DISTRICT OFFICE

DRAWING
W-27