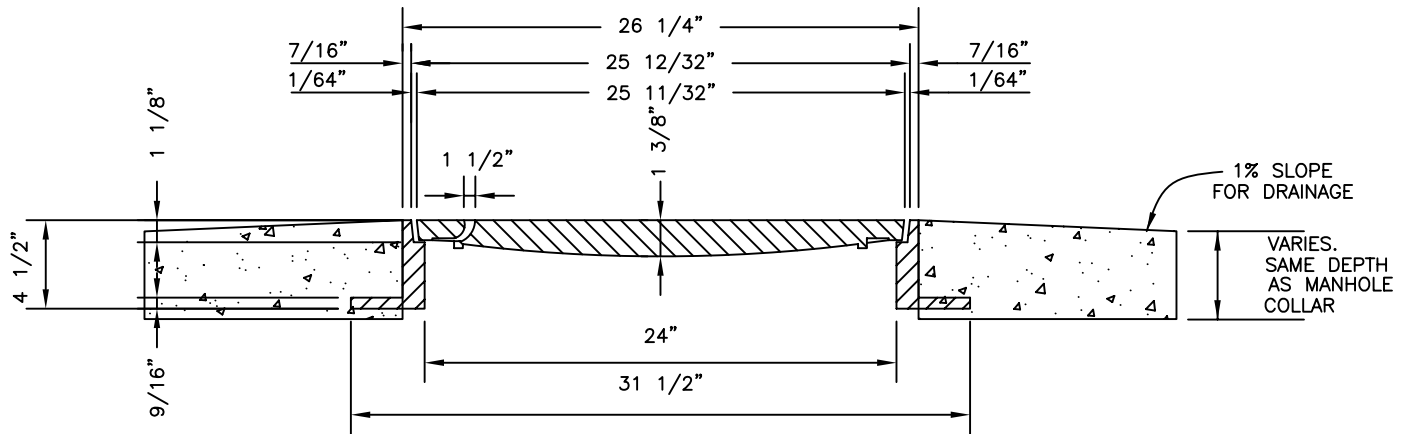
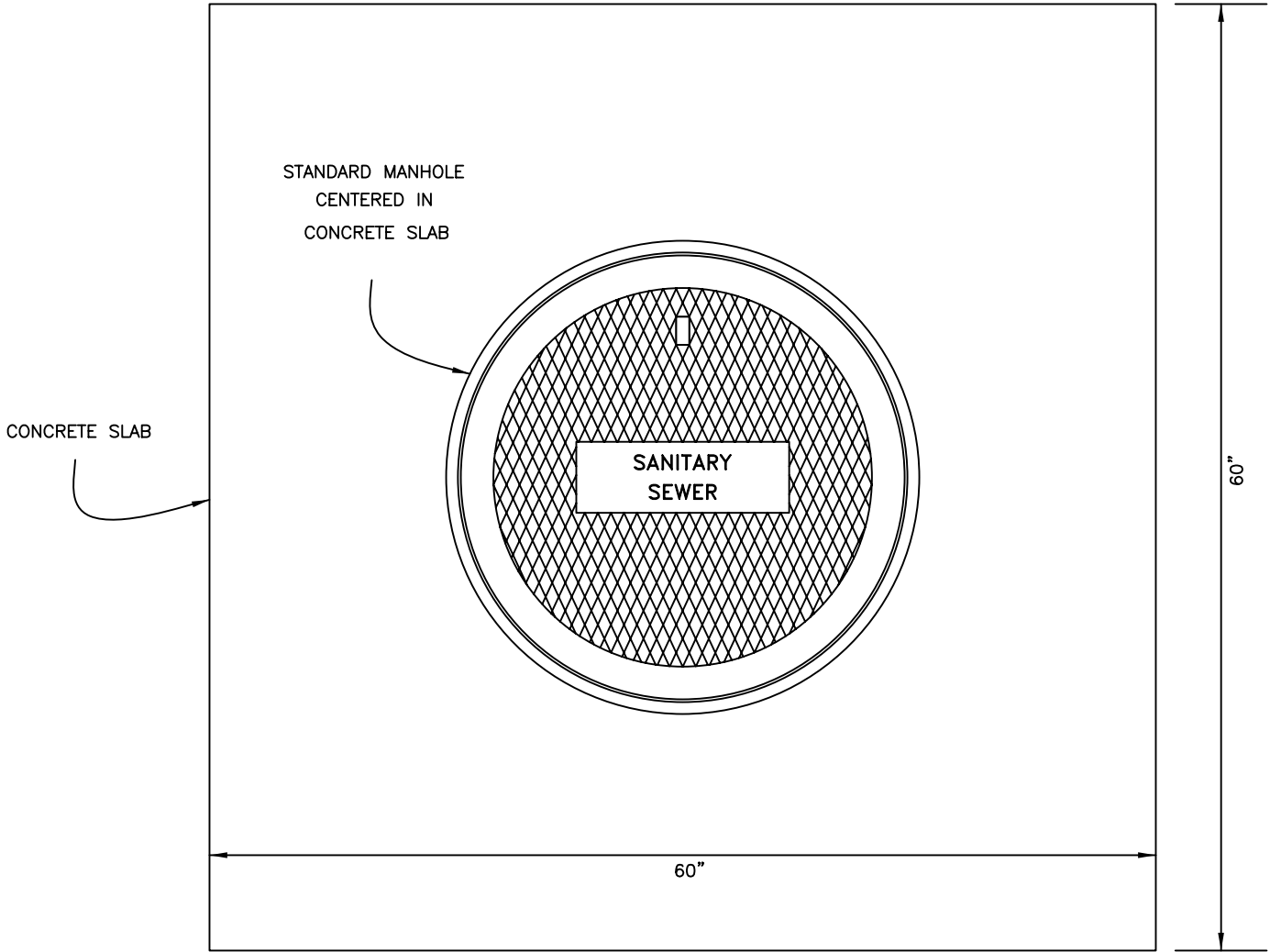


# LANDSCAPED AREA



REV. 04/07

Dublin San Ramon Services District

DATE  
MAY 1987

MANHOLE PAD DETAIL

DESIGNED  
DJM

SIGNED COPY ON FILE AT DISTRICT OFFICE

DRAWING  
S-6A