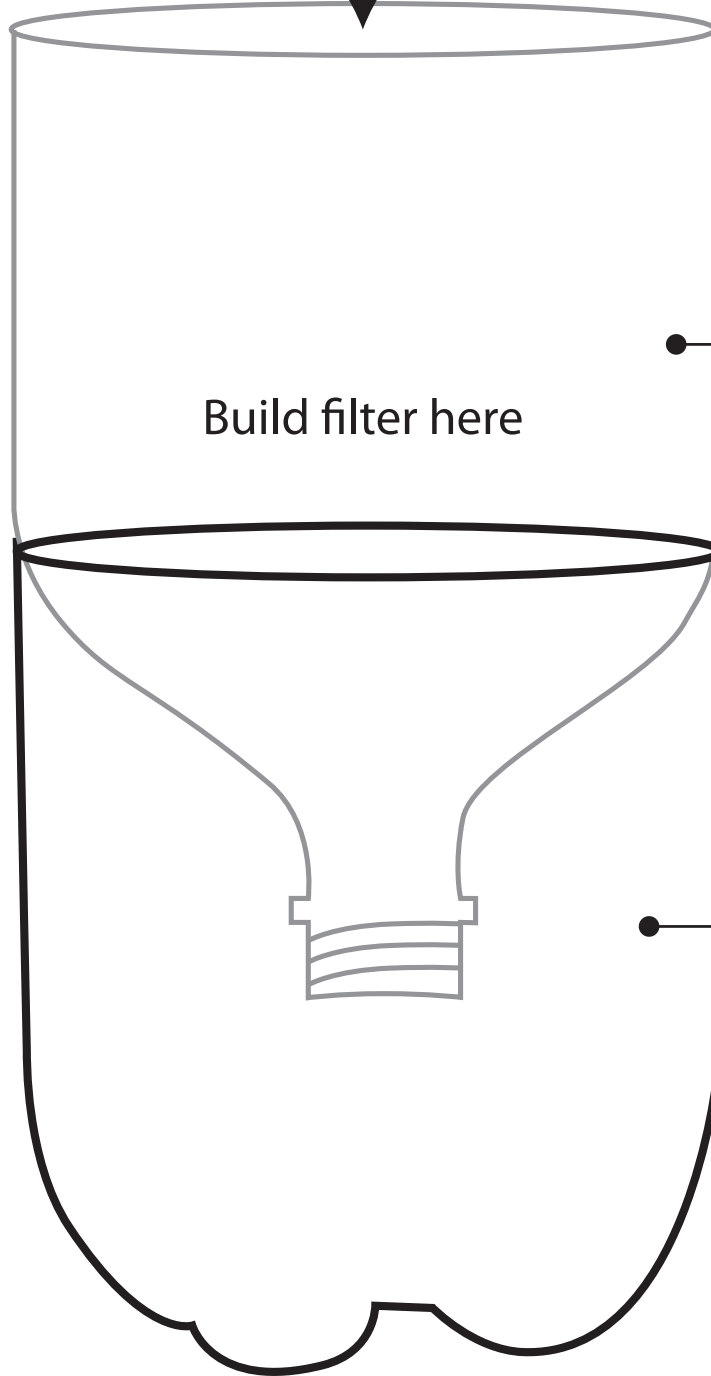


Pour dirty water here



Build filter here

*Top of two liter bottle*

*Bottom of two liter bottle*

Filtered water drains into bottom of bottle